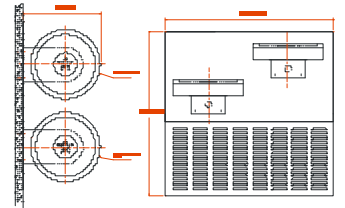
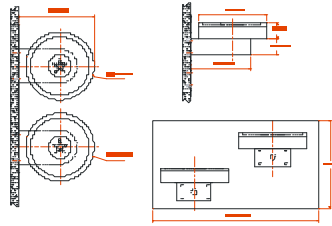
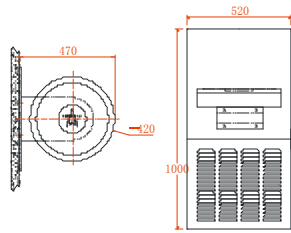
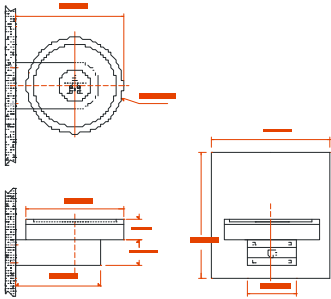


Drinking Water Fountains



Model: TB4-1
 Material: Stainless Steel
 Overall Dimension: 550*520*470
 Purifier System: external
 (installed in wall)
 Heating and Cooling System:
 external, optional

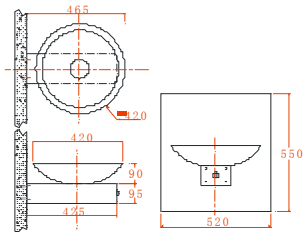
Model: TB4-2
 Material: Stainless Steel
 Overall Dimension: 1000*520*470
 Purifier System: external
 (installed in wall)
 Heating and Cooling System:
 External, optional

Model: TB4-3
 Material: Stainless Steel
 Overall Dimension: 550*1040*470
 Purifier System: external
 (installed in wall)
 Heating and Cooling System:
 External, optional

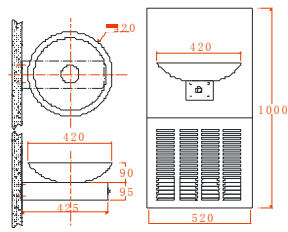
Model: TB4-4
 Material: Stainless Steel
 Overall Dimension: 1000*1040*470
 Purifier System: external
 (installed in wall)
 Heating and Cooling System:
 External, optional



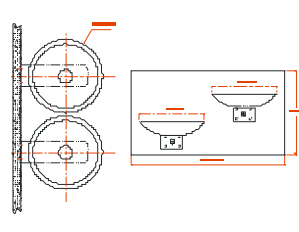
Drinking Water Fountains



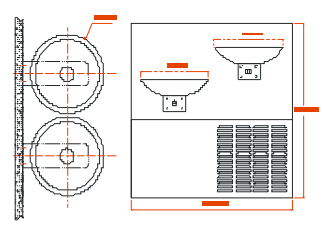
Model: TB9-1
 Material: Stainless Steel
 Overall Dimension: 550*520*470
 Purifier System: external
 (installed in wall)
 Heating and Cooling System:
 External, optional



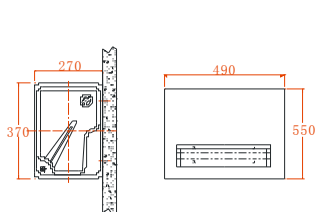
Model: TB9-2
 Material: Stainless Steel
 Overall Dimension: 1000*520*470
 Purifier System: external
 (installed in wall)
 Heating and Cooling System:
 External, optional



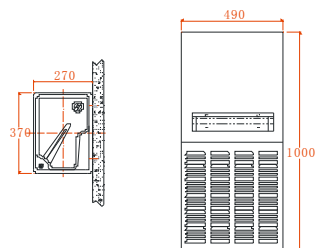
Model: TB9-3
 Material: Stainless Steel
 Overall Dimension: 550*1040*470
 Purifier System: external
 (installed in wall)
 Heating and Cooling System:
 External, optional



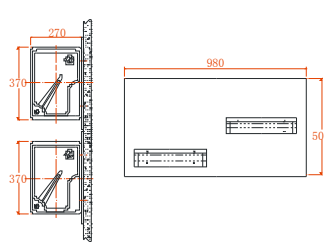
Model: TB9-4
 Material: Stainless Steel
 Overall Dimension: 1000*1040*470
 Purifier System: external
 (installed in wall)
 Heating and Cooling System:
 External, optional



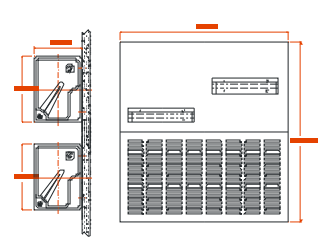
Model: TB12-1
 Material: Stainless Steel
 Overall Dimension: 550*490*270
 Purifier System: external
 (installed in wall)
 Heating and Cooling System:
 External, optional



Model: TB12-2
 Material: Stainless Steel
 Overall Dimension: 1000*490*270
 Purifier System: external
 (installed in wall)
 Heating and Cooling System:
 External, optional

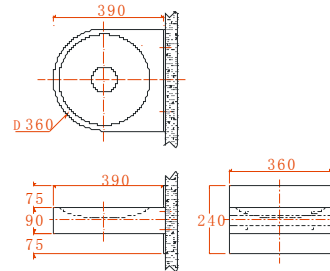
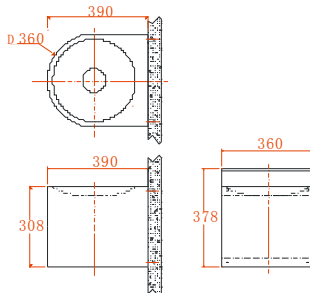
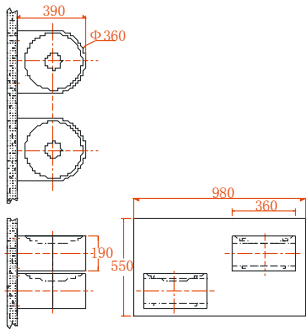
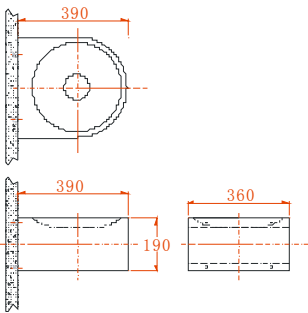


Model: TB12-3
 Material: Stainless Steel
 Overall Dimension: 550*980*270
 Purifier System: external
 (installed in wall)
 Heating and Cooling System:
 External, optional



Model: TB12-4
 Material: Stainless Steel
 Overall Dimension: 1000*980*270
 Purifier System: external
 (installed in wall)
 Heating and Cooling System:
 External, optional

Drinking Water Fountains



Model: TB7
 Material: Stainless Steel
 Overall Dimension: 190*360*390
 Purifier System: external
 (installed in wall)
 Heating and Cooling System:
 External, optional

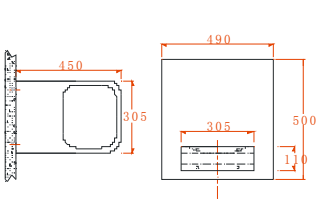
Model: TB8
 Material: Stainless Steel
 Overall Dimension: 550*980*390
 Purifier System: external
 (installed in wall)
 Heating and Cooling System:
 External, optional

Model: TB11
 Material: Stainless Steel
 Overall Dimension: 378*360*390
 Purifier System: external
 (installed in wall)
 Heating and Cooling System:
 External, optional

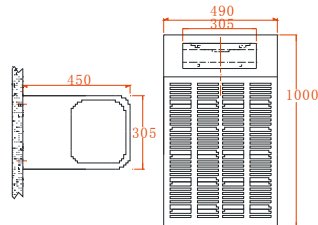
Model: TB10
 Material: Stainless Steel
 Overall Dimension: 240*360*390
 Purifier System: external
 (installed in wall)
 Heating and Cooling System:
 External, optional



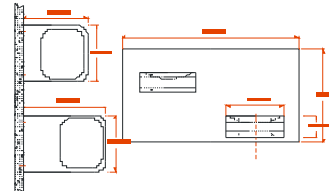
Drinking Water Fountains



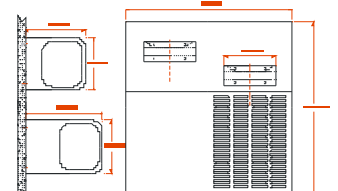
Model: TB5-1
 Material: Stainless Steel
 Overall Dimension: 550*490*450
 Purifier System: external
 (installed in wall)
 Heating and Cooling System:
 External, optional



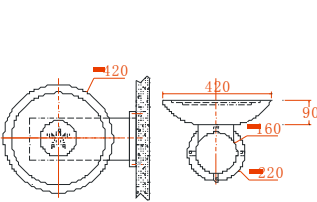
Model: TB5-2
 Material: Stainless Steel
 Overall Dimension: 1000*490*450
 Purifier System: external
 (installed in wall)
 Heating and Cooling System:
 External, optional



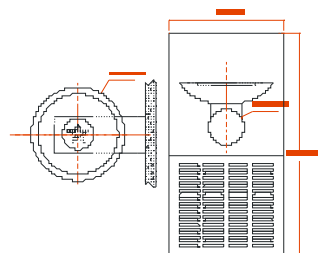
Model: TB5-3
 Material: Stainless Steel
 Overall Dimension: 550*980*450
 Purifier System: external
 (installed in wall)
 Heating and Cooling System:
 External, optional



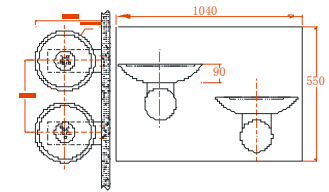
Model: TB5-4
 Material: Stainless Steel
 Overall Dimension: 1000*980*450
 Purifier System: external
 (installed in wall)
 Heating and Cooling System:
 External, optional



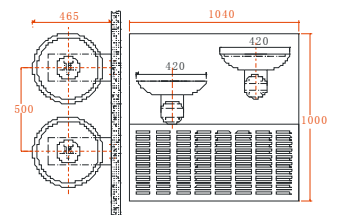
Model: TB6-1
 Material: Stainless Steel
 Overall Dimension: 330*420*465
 Purifier System: external
 (installed in wall)
 Heating and Cooling System:
 External, optional



Model: TB6-2
 Material: Stainless Steel
 Overall Dimension: 1000*520*465
 Purifier System: external
 (installed in wall)
 Heating and Cooling System:
 External, optional

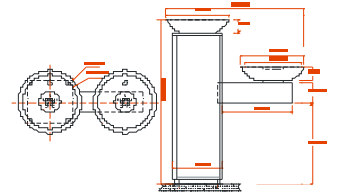
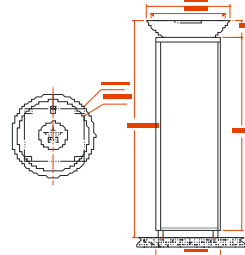
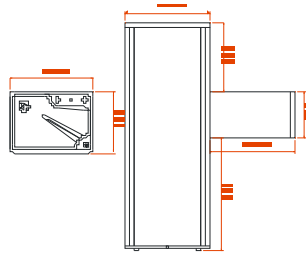
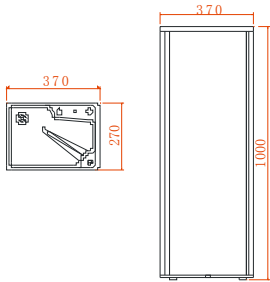


Model: TB6-3
 Material: Stainless Steel
 Overall Dimension: 550*1040*465
 Purifier System: external
 (installed in wall)
 Heating and Cooling System:
 External, optional



Model: TB6-4
 Material: Stainless Steel
 Overall Dimension: 1000*1040*465
 Purifier System: external
 (installed in wall)
 Heating and Cooling System:
 External, optional

Drinking Water Fountains



Model: TL21
 Material: Stainless Steel
 Overall Dimension: 1000*370*270
 Purifier System: external/internal

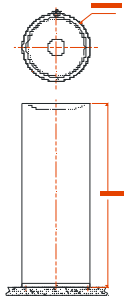
Model: TL22
 Material: Stainless Steel
 Overall Dimension: 1000*740*270
 Purifier System: external/internal

Model: TL3-2
 Material: Stainless Steel
 外型尺寸: 1100*420*420
 Purifier System: external/internal

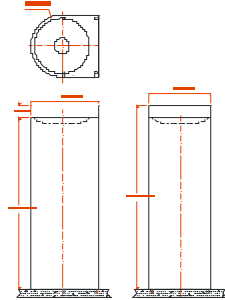
Model: TL3
 Material: Stainless Steel
 Overall Dimension: 1100*917*420
 Purifier System: external/internal



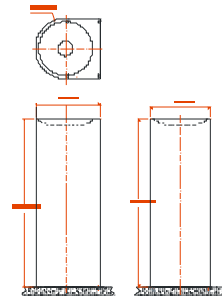
Drinking Water Fountains



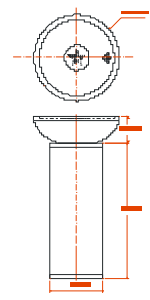
Model: TL14
Material: Stainless Steel
Overall Dimension: 1000*340*340
Purifier System: external/internal



Model: TL15
Material: Stainless Steel
Overall Dimension: 1075*360*390
Purifier System: external/internal



Model: TL15-2
Material: Stainless Steel
Overall Dimension: 1000*360*390
Purifier System: external/internal



Model: TL20
Material: Stainless Steel and Marble
Overall Dimension: 900*480*480
Purifier System: external/internal



Model: TL21-300/500 Series
Material: Stainless Steel
Overall Dimension : 370*270*1250
(filler included)
Purifier System: internal,
multistage filter optional
Heating System: hot storage 5L/10L
Heating Power: 900W/1800W
Cooling System: optional
compressor or electric cooling
Cooling Power: 125W/120W



Model: TL22-300/500 Series
Material: Stainless Steel
Overall Dimension : 740*270*1250
(filler included)
Purifier System: internal,
multistage filter optional
Heating System: hot storage 5L/10L
Heating Power: 900W/1800W
Cooling System: optional
compressor or electric cooling
Cooling Power: 125W/120W



Model: TL3-2--300/500 Series
Material: Stainless Steel
Overall Dimension : 420*420*1170
(bubbler included)
Purifier System: internal,
multistage filter optional
Heating System: hot storage 5L/10L
Heating Power: 900W/1800W
Cooling System: optional
compressor or electric cooling
Cooling Power: 125W/120W



Model: TL3-300/500 Series
Material: Stainless Steel
Overall Dimension : 420*420*1170
(bubbler included)
Purifier System: internal,
multistage filter optional
Heating System: hot storage 5L/10L
Heating Power: 900W/1800W
Cooling System: optional
compressor or electric cooling
Cooling Power: 125W/120W

Drinking Water Fountains



Model: UP300/500 Series
 Material: Stainless Steel
 Overall Dimension : 430*300*1260
 (filler included)
 Purifier System: internal,
 multistage filter optional
 Heating System: hot storage 5L/10L
 Heating Power: 900W/1800W
 Cooling System: optional
 compressor
 Cooling Power: 125W



Model: TL15-300/500 Series
 Material: Stainless Steel
 Overall Dimension: 370*390*1075
 Purifier System: internal,
 multistage filter optional
 Heating System: hot storage 5L/10L
 Heating Power: 900W/1800W
 Cooling System: optional
 compressor or electric cooling
 Cooling Power: 125W/120W



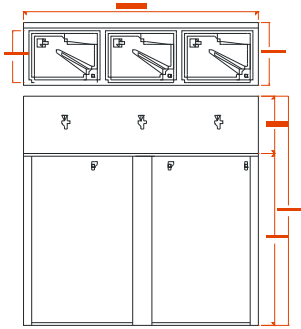
Model: TL15-2-300/500 Series
 Material: Stainless Steel
 Overall Dimension : 360*390*1070
 (bubbler included)
 Purifier System: internal,
 multistage filter optional
 Heating System: hot storage 5L/10L
 Heating Power: 900W/1800W
 Cooling System: optional
 compressor or electric cooling
 Cooling Power: 125W/120W



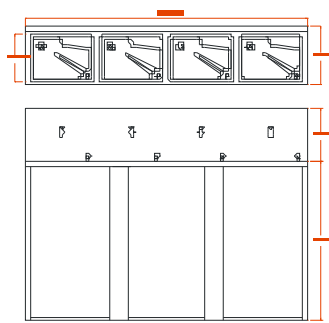
Model: TL21-3-300/500 Series
 Material: Stainless Steel
 Overall Dimension: 370*270*700
 Purifier System: internal,
 multistage filter optional
 Heating System: hot storage 5L/10L
 Heating Power: 900W/1800W
 Cooling System: optional
 compressor or electric cooling
 Cooling Power: 125W/120W



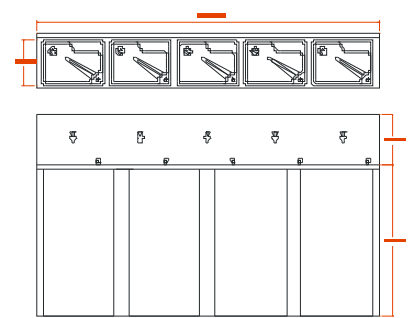
Drinking Water Fountains



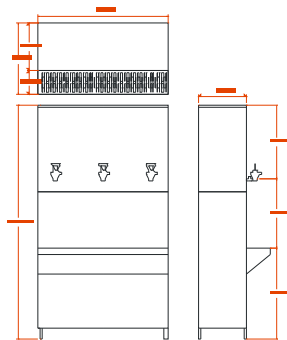
Model: TB3000/5000-6
 Material: Stainless Steel
 Purifier System: internal
 multistage filter optional
 Heating System: hot storage and heating
 power optional
 Cooling System: optional, compressor or
 electric cooling



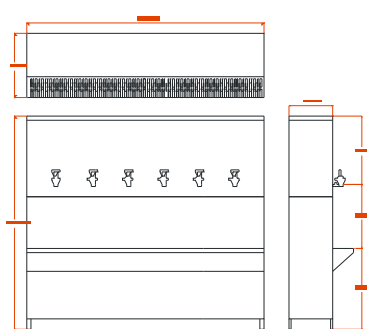
Model: TB3000/5000-8
 Material: Stainless Steel
 Purifier System: internal
 multistage filter optional
 Heating System: hot storage and heating
 power optional
 Cooling System: optional, compressor or
 electric cooling



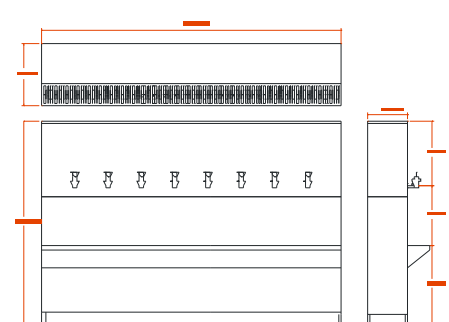
Model: TB3000/5000-10
 Material: Stainless Steel
 Purifier System: internal
 multistage filter optional
 Heating System: hot storage and heating power optional
 Cooling System: optional, compressor or electric
 cooling



Model: XT3000/5000-3
 Material: Stainless Steel
 Purifier System: internal
 multistage filter optional
 Heating System: hot storage and heating
 power optional
 Cooling System: optional, compressor or
 electric cooling

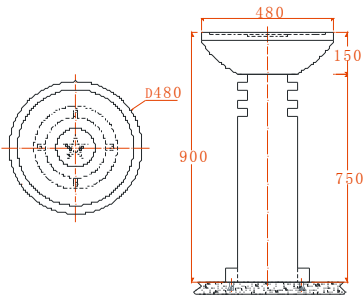


Model: XT3000/5000-6
 Material: Stainless Steel
 Purifier System: internal
 multistage filter optional
 Heating System: hot storage and heating
 power optional
 Cooling System: optional, compressor or
 electric cooling

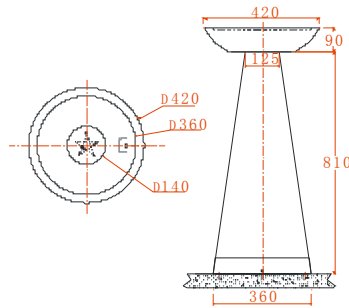


Model: XT3000/5000-8
 Material: Stainless Steel
 Purifier System: internal
 multistage filter optional
 Heating System: hot storage and heating power optional
 Cooling System: optional, compressor or electric
 cooling

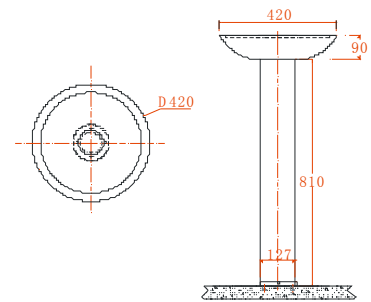
Drinking Water Fountains



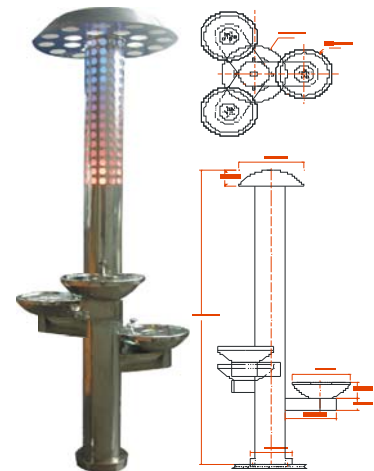
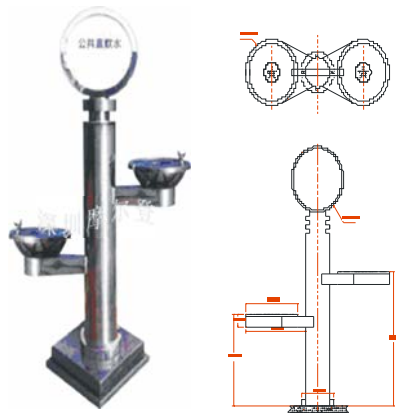
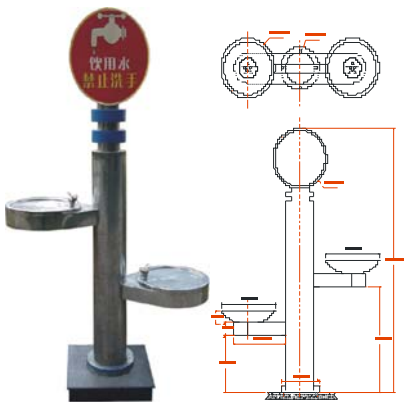
Model: TL1
 Material: Stainless Steel
 Overall Dimension: 900*480*480
 Purifier System: external or internal



Model: TL2
 Material: Stainless Steel
 Overall Dimension: 900*420*420
 Purifier System: external or internal



Model: TL13
 Material: Stainless Steel
 Overall Dimension: 900*420*420
 Purifier System: external



Drinking Water Fountains

Model: TL23
Material: Stainless Steel
Overall Dimension: 1850*1440*420
Purifier System: external or internal



MODEL: TB25

Model: TL24
Material: Stainless Steel
Overall Dimension: 1900*1320*480
Purifier System: external or internal



MODEL: TB26

Model: TL16
Material: Stainless Steel
Overall Dimension: 2500*970*970
Purifier System: external or internal



MODEL: TB18-1



MODEL: TL19-1



MODEL: TL19-2



MODEL: TL19-3



MODEL: TL19-4